

Note: Dimensions are nominal measurements only

SPECIFICATIONS

RECOMMENDED USE

Domestic

PRESSURE RATING

Recommended minimum working pressure 150kPa
Recommended maximum working pressure 500kPa
Hot and cold water inlet pressure should be equal

TEMPERATURE RATING

Maximum continuous working temperature 75°C
If the water temperature exceeds 75°C, an approved tempering valve must be fitted

SUITABLE HOT WATER UNITS

Storage tank: Yes
Continuous Flow: Yes
Gravity Feed: Not suitable

STANDARDS

WELS Star Rating (3 Star) – Nominal Flow Rate (8 L/M)
Registration No. (T32403)

WARRANTY

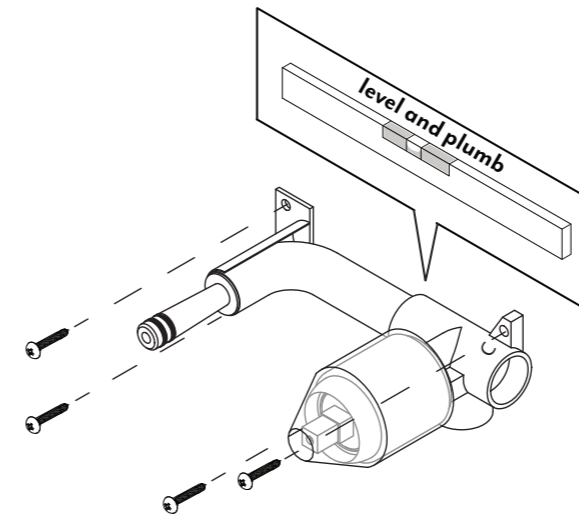
Structure: 25 years | Finish: 5 years | Cartridge: 10 years

Disclaimer: Products in this specification manual must by regulation be installed by licensed and registered trade people. The manufacturer/distributor reserves the right to vary specifications or delete models from their range without prior notification. Dimensions are nominal measurements only. Dimensions and set-outs listed are correct at time of publication however the manufacturer/distributor takes no responsibility for printing errors. All ABI Products are designed in Australia. Copyright ABI Interiors 2019.

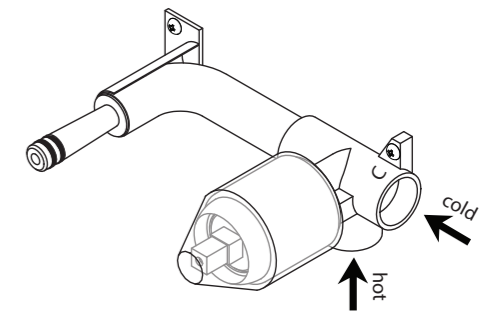
INSTALLATION GUIDE

Note: This product must be installed by a licensed plumber. This is a general installation guide - there are many factors that are involved that can alter the installation method.

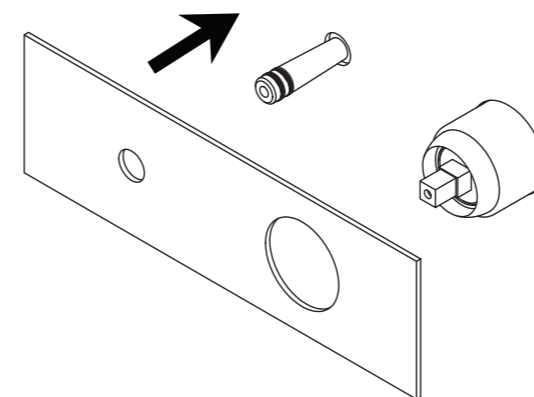
- Fasten screws to secure mixer assembly into position.
Note: Ensure mixer assembly is level and plumb.



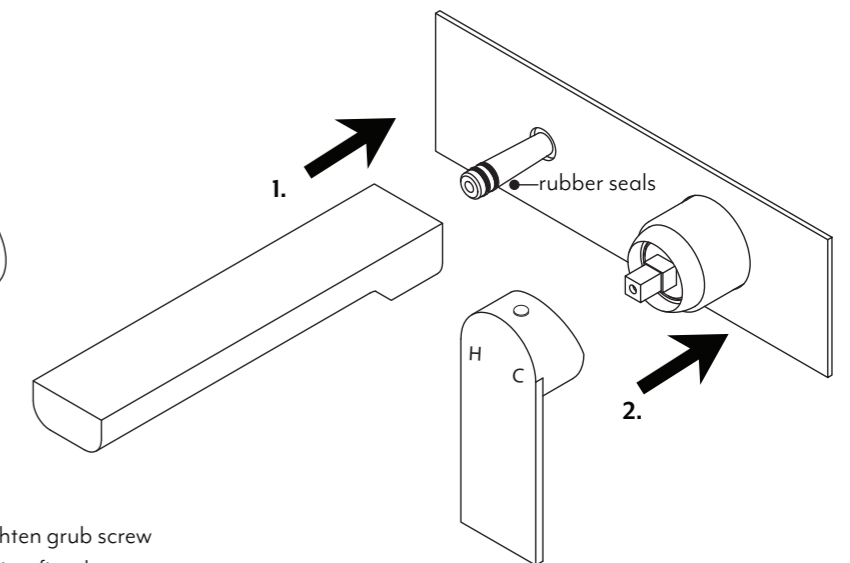
- Connect to water supply & test for leaks.



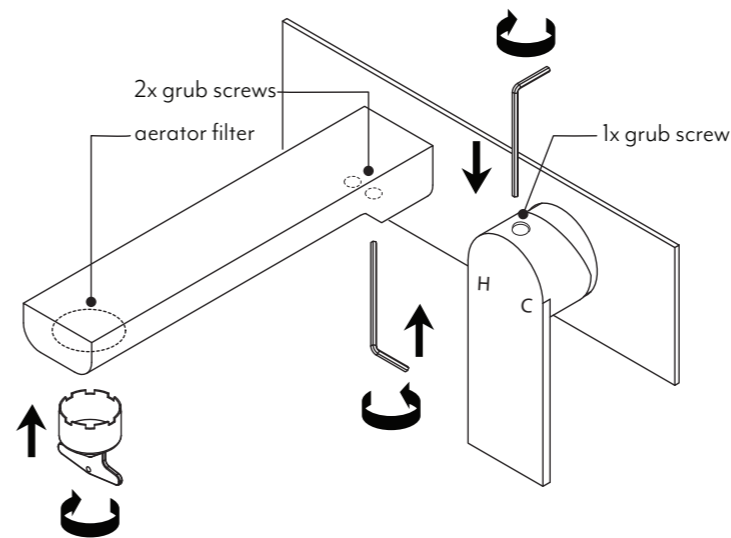
- Create a 45mm and 15mm hole in cement sheet & tiles.
Note: Use backplate as a guide for centre of hole locations. Remove protective cover & mount the backplate into position.



- Fit spout to outlet ensuring spout firmly connects with outlet rubber seals.
2. Mount mixer handle to mixer.



- Fix handle by removing grub screw cap and tighten grub screw with allen key provided, ensure grub screw cap is refitted. For maintenance purposes an aerator key is provided. To switch aerator filters use key to unscrew and refit.



IN THE BOX

