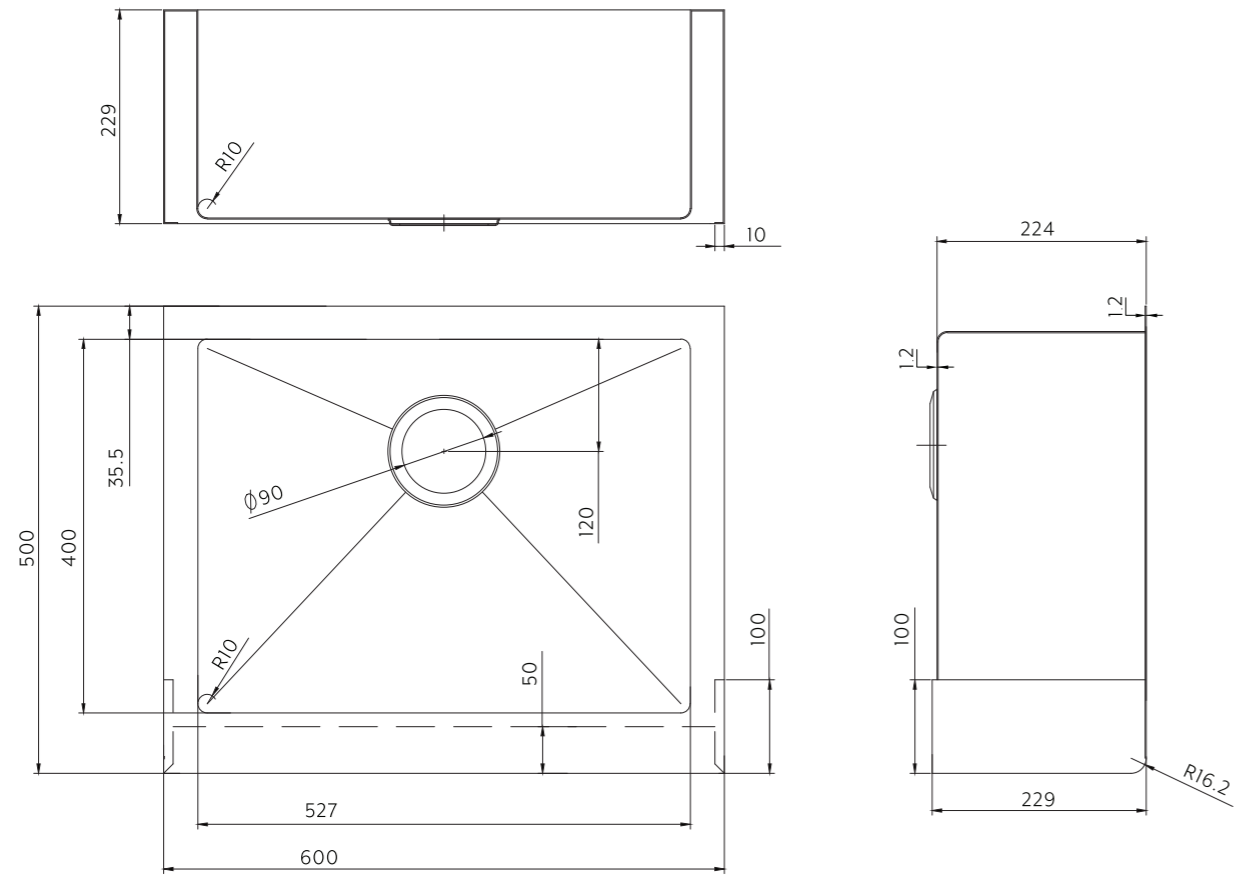


Note: This product must be installed by a licensed tradesperson. This is a general installation guide - there are many factors that are involved that can alter the installation method.

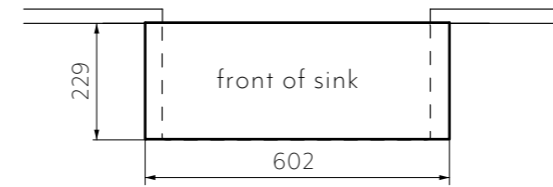


Note: Dimensions are nominal measurements only

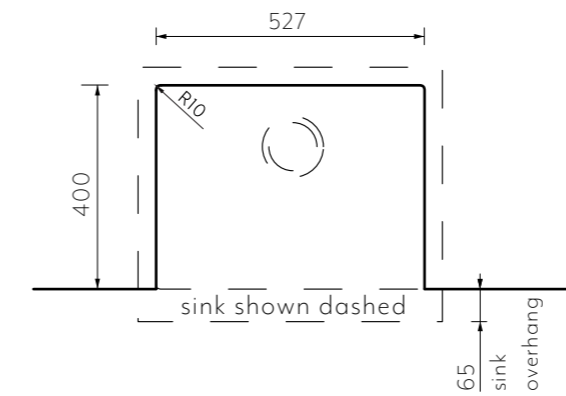
SPECIFICATIONS

RECOMMENDED USE	Domestic, Commercial
COLOUR AVAILABILITY	
MATERIAL	Stainless Steel
CONSTRUCTION	Soundproofing Layer & 10mm Radius Corners
OVERFLOW	N/A
WARRANTY	Structure: 25 years Finish: 5 years
LITRE	42.16L

UNDERMOUNT INSTALLATION

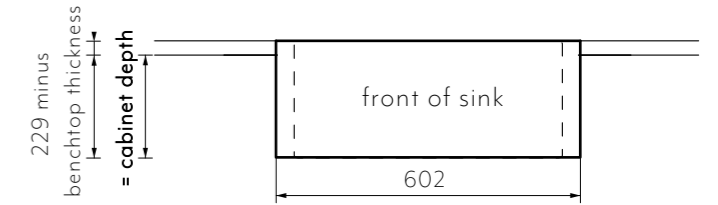


CABINET SINK SHELF SET OUT - UNDERMOUNT

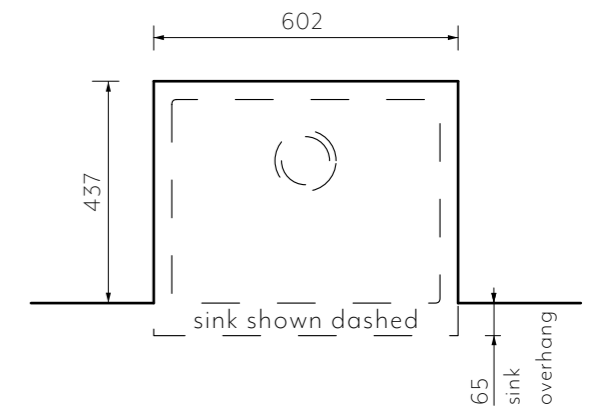


BENCHTOP SINK CUT TEMPLATE - UNDERMOUNT

FLUSHMOUNT INSTALLATION

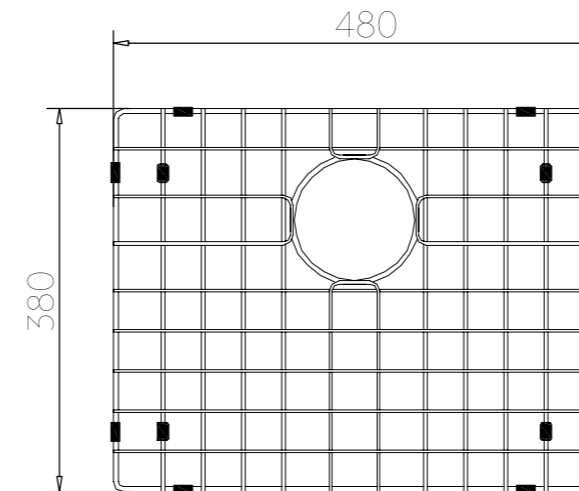


CABINET SINK SHELF SET OUT - FLUSHMOUNT



BENCHTOP CUT TEMPLATE - FLUSHMOUNT

RACK DIMENSIONS



BASKET WASTE

