

**Note:** Dimensions are nominal measurements only

## SPECIFICATIONS

### RECOMMENDED USE

Domestic, Commercial

### COLOUR AVAILABILITY



### MATERIAL

Stainless Steel

### CONSTRUCTION

Soundproofing Layer & 10mm Radius Corners

### INSTALLATION

Undermount, Top Mount

### OVERFLOW

N/A

### WARRANTY

Structure: 25 years | Finish: 5 years

### LITRE

31L

## INSTALLATION

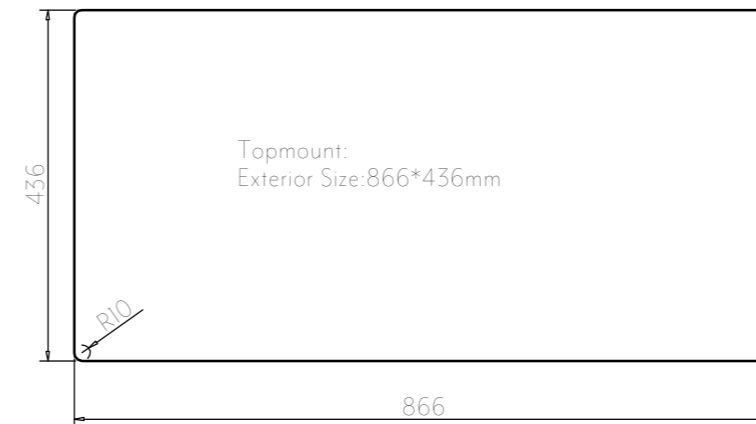
ABI will not be held responsible for any damage caused by leakage or faulty installation.

ABI has a strict quality controlling process however please check the sink prior to installation.

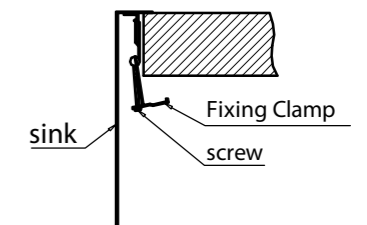
Please ensure proper care is taken during installation to avoid scratching the Stainless Steel.

## CUT-OUT TEMPLATES

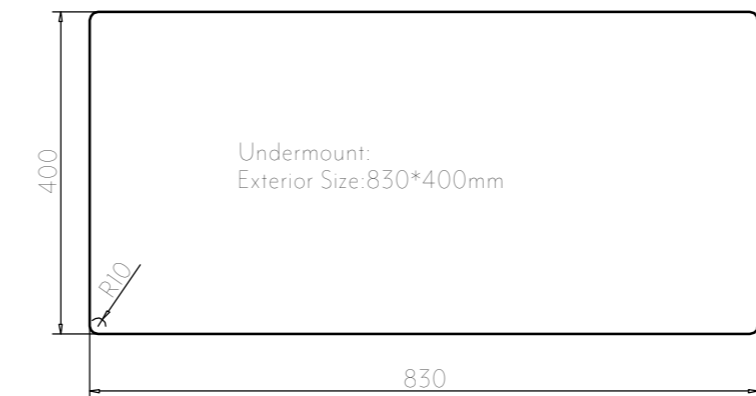
### TOPMOUNT INSTALLATION



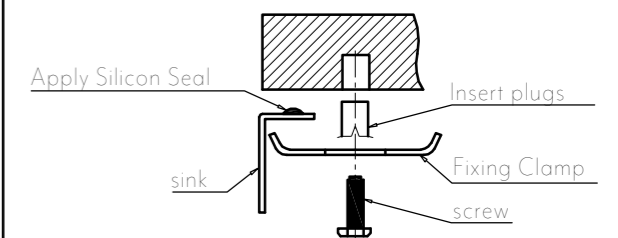
### TOPMOUNT INSTALLATION



### TOPMOUNT INSTALLATION



### UNDERMOUNT INSTALLATION



## RACK DIMENSIONS

