

Note: Dimensions are nominal measurements only

SPECIFICATIONS

RECOMMENDED USE

Domestic

ADJUSTABLE

Adjustable Pipe - Vertical
 Outlet Pipe - Cut to Suit

WARRANTY

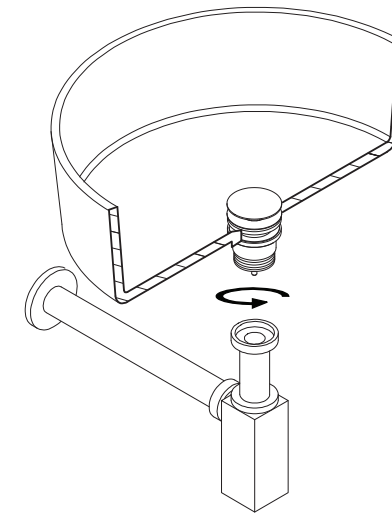
Structure: 10 years | Finish: 5 years

Disclaimer: Products in this specification manual must by regulation be installed by licensed and registered trade people. The manufacturer/distributor reserves the right to vary specifications or delete models from their range without prior notification. Dimensions are nominal measurements only. Dimensions and set-outs listed are correct at time of publication however the manufacturer/distributor takes no responsibility for printing errors. All ABI Products are designed in Australia. Copyright ABI Interiors Pty Ltd 2021.

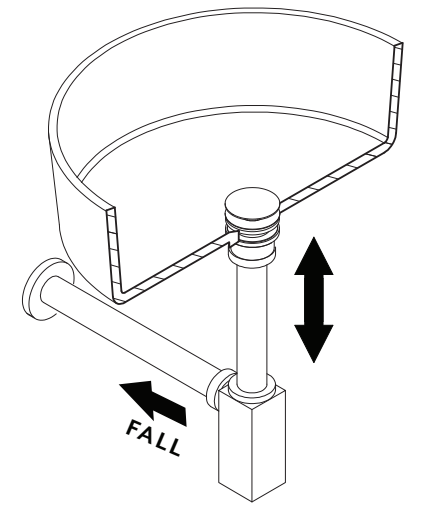
INSTALLATION GUIDE

Note: This product must be installed by a licensed tradesperson. This is a general installation guide - there are many factors that are involved that can alter the installation method.

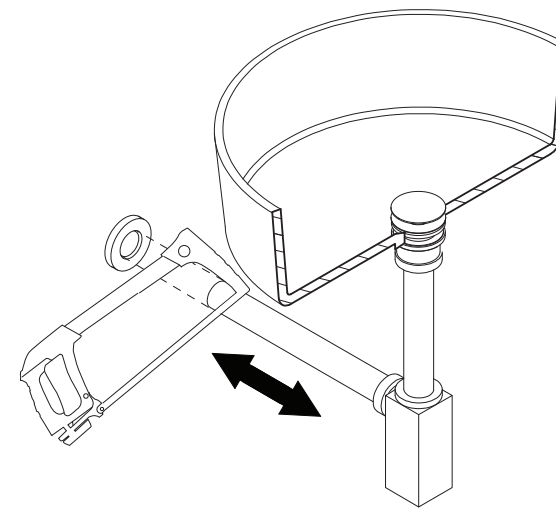
- 1 Attach bottle trap to pop up thread.
Note: Use adaptor for 32mm thread



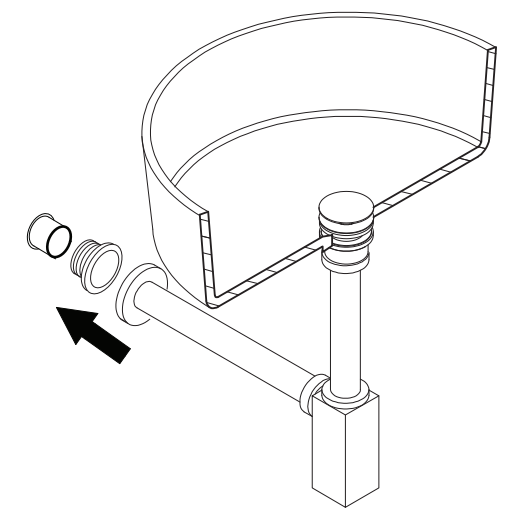
- 2 Adjust inlet pipe to suit waste.
Note: Allow for fall.



- 3 Cut waste pipe to suit.



- 4 Engage kee seal into 40mm socket.



- 5 Assemble trap and tighten all components.
 Test for leakage.

