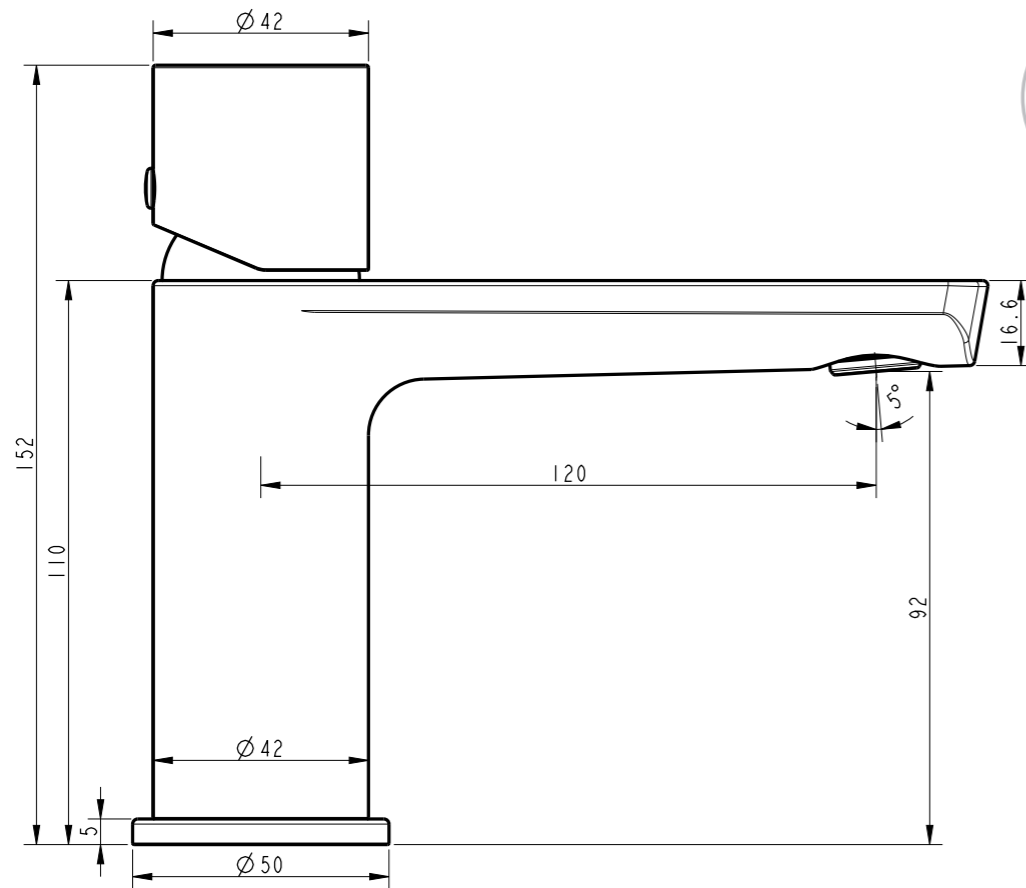


MILANI BASIN MIXER



Note: Dimensions are nominal measurements only

SPECIFICATIONS

RECOMMENDED USE	Domestic
PRESSURE RATING	Maximum continuous operating pressure 1000kPa.W. For best performance and longer life we recommend 150-500kPa. Hot and cold water inlet pressure should be equal.
TEMPERATURE RATING	Maximum continuous working temperature 80°C
SUITABLE HOT WATER UNITS	Storage tank: Yes Continuous Flow: Yes Gravity Feed: Not suitable
WATER EFFICIENCY	WELS Star Rating(5Star) – Nominal Flow Rate(5 L/M) Registration No.(T32687)
WARRANTY	Structure: 25 years Finish: 5 years Cartridge: 10 years

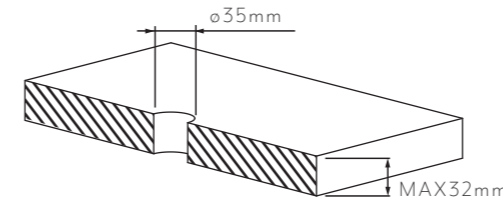
Disclaimer: Products in this specification manual must by regulation be installed by licensed and registered trade people. The manufacturer/distributor reserves the right to vary specifications or delete models from their range without prior notification. Dimensions are nominal measurements only. Dimensions and set-outs listed are correct at time of publication however the manufacturer/distributor takes no responsibility for printing errors. All ABI Products are designed in Australia. Copyright ABI Interiors 2019.

INSTALLATION MANUAL

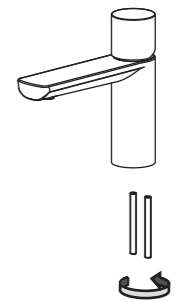
This product must be installed by a qualified plumber.

Installation should comply with relevant local authority requirements.

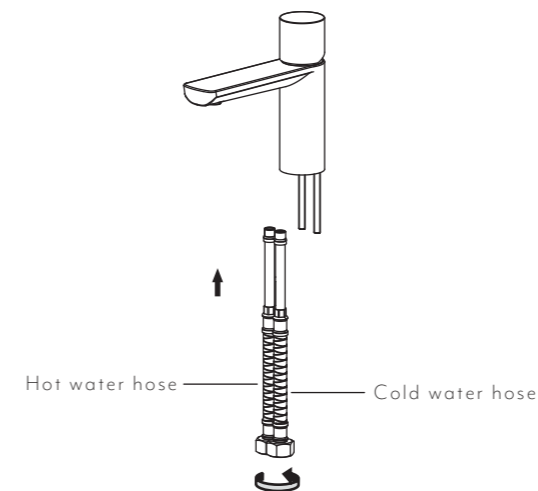
1 Mark hole in benchtop at desired position and drill a 35 mm hole.



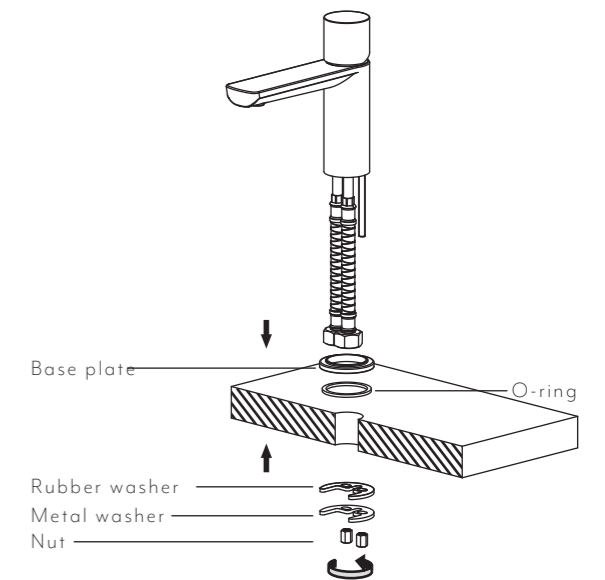
2 Fix the bolts to the bottom of the body and tighten.



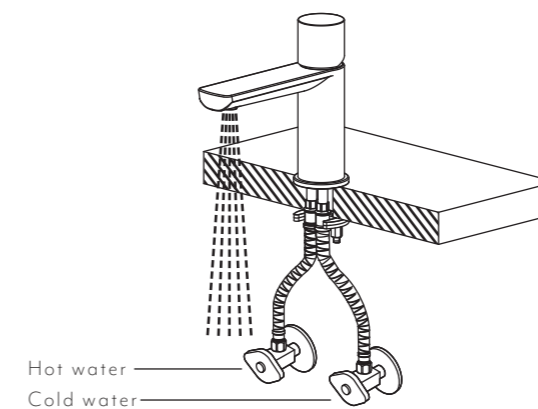
3 Connect the H & C flexible hoses. ABI recommends applying appropriate lubricant to o-rings



4 Install the basin mixer by fixing the washers, nut & screws on the underside of the benchtop.



5 Attach the two flexible hoses to water supply and hand tighten. Remove the aerator from the spout and flush. Re-install aerator



MIXER OPERATION

