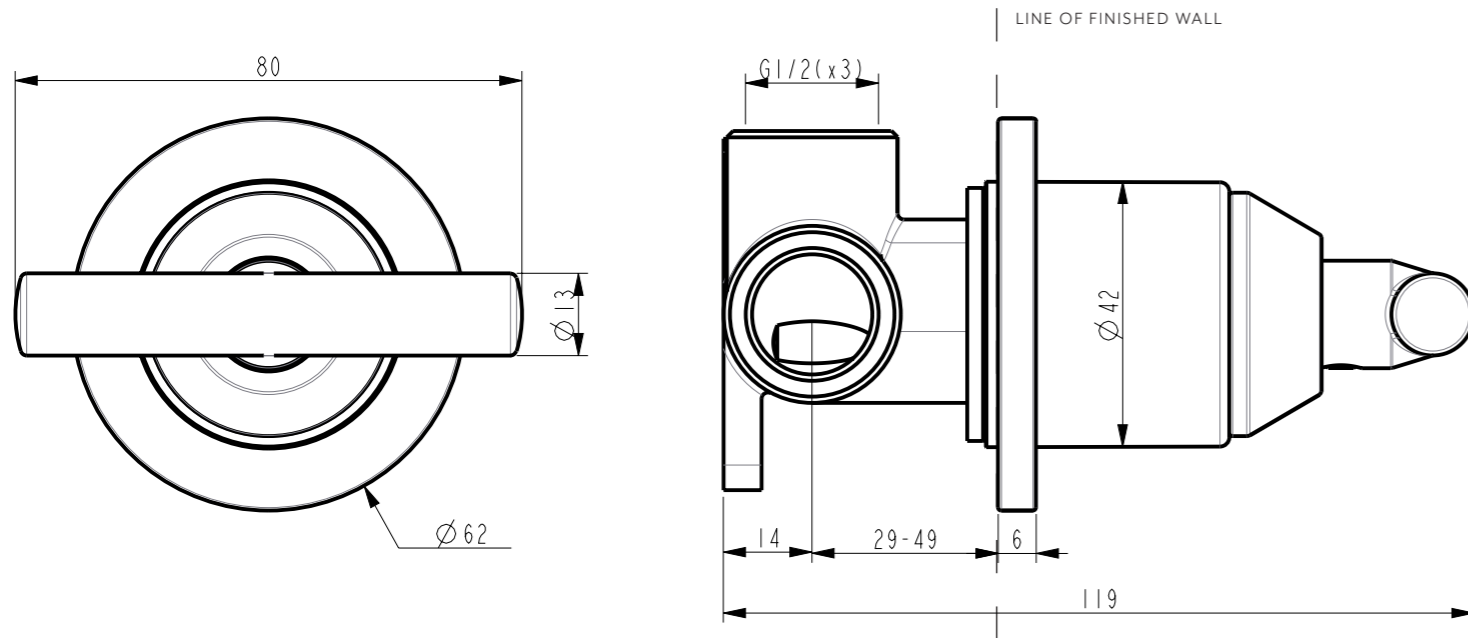


PROGRESSIVE BARRE SHOWER MIXER



SPECIFICATIONS

MIXER TYPE	Progressive
TYPICAL USE	Shower & Bath
COLOUR AVAILABILITY	
PRESSURE RATING	Recommended minimum working pressure 150kPa Recommended maximum working pressure 500kPa Hot and cold water inlet pressure should be equal
TEMPERATURE RATING	Maximum continuous working temperature 75°C If the water temperature exceeds 75°C, an approved tempering valve must be fitted
SUITABLE HOT WATER UNITS	Storage tank: Yes Continuous Flow: Yes Gravity Feed: Not suitable
STANDARDS	WELS Star Rating(5 Star) – Nominal Flow Rate(5.5 L/M) Registration No.(T32356)
WARRANTY	Structure: 25 years Finish: 5 years Cartridge: 10 years

Disclaimer: Products in this specification manual must by regulation be installed by licensed and registered trade people. The manufacturer/distributor reserves the right to vary specifications or delete models from their range without prior notification. Dimensions are nominal measurements only. Dimensions and set-outs listed are correct at time of publication however the manufacturer/distributor takes no responsibility for printing errors. All ABI Products are designed in Australia. Copyright ABI Interiors 2019. WWW.ABIINTERIORS.COM.AU

INSTALLATION MANUAL

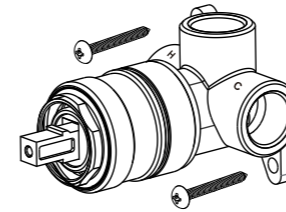
PLEASE READ BEFORE INSTALLING

FLOW RESTRICTOR TO BE INSTALLED WHEN USING THIS PRODUCT OVER A BASIN AND PAIRED WITH A SPOUT.

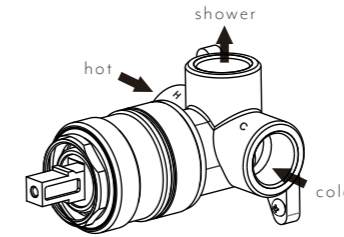
FLOW RESTRICTORS ARE PROVIDED WITH THE SPOUT

This product must be installed by a qualified plumber.

1 Fasten screws to secure the shower mixer assembly in place.

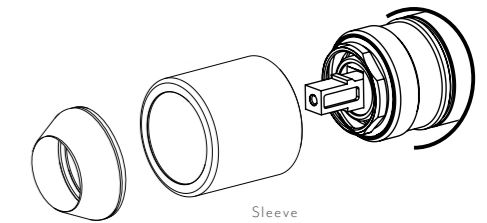


2 Attach water supply and water outlet. TEST AND CHECK FOR LEAKS



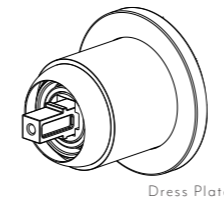
3 Create a 45mm round hole in cement sheet and tiles

Push the sleeve over the body until it is as far back as possible. Screw the dome onto the brass fitting and tighten

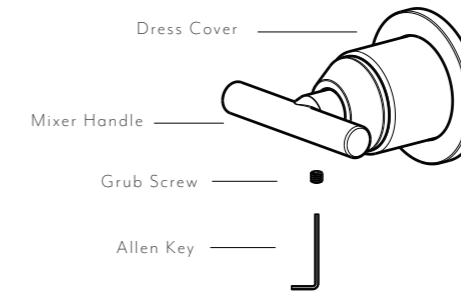


Please ensure that the hole is big enough to allow for the sleeve to slide on at fit-off stage

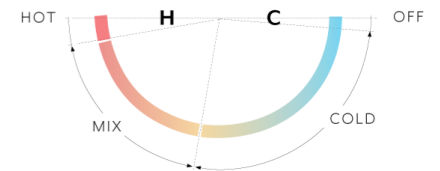
4 Assemble the plate and fix it in place.



5 Place the handle onto the fitting. Fasten the grub screw firmly with the allen key



PROGRESSIVE MIXER OPERATION

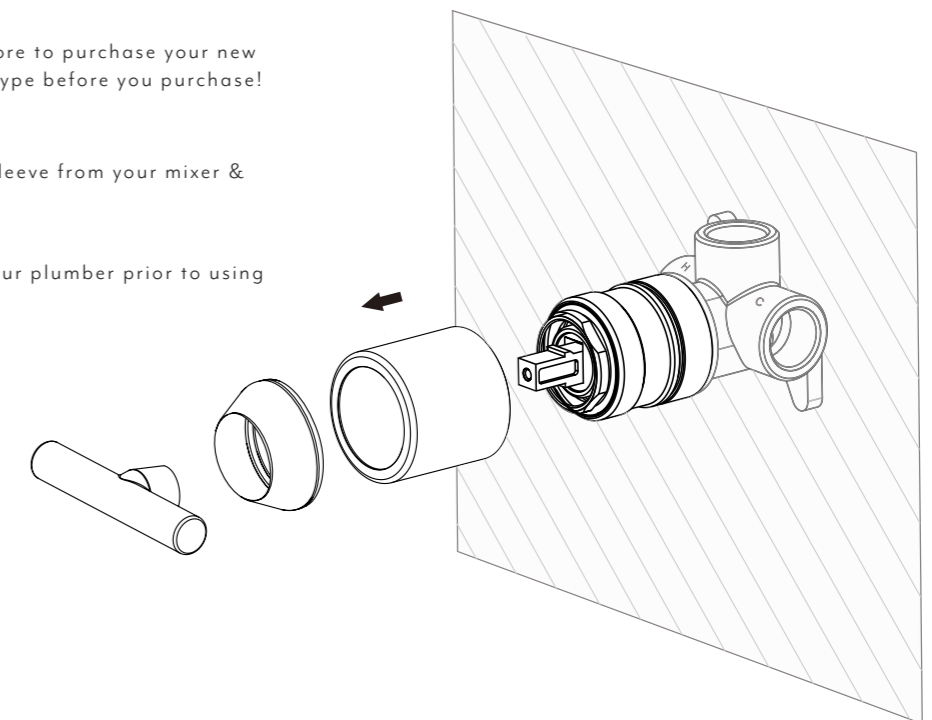


HOW TO CUSTOMIZE YOUR MIXER

STEP 1: Visit our online shop or go in-store to purchase your new Handle Kit - Be sure to check the mixer type before you purchase!

STEP 2: Remove the handle, dome and sleeve from your mixer & repeat steps above for installation!

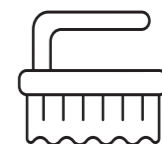
STEP 3: Be sure to get this checked by your plumber prior to using



Regularly clean with mild liquid detergent or soap and water



DO NOT use cream cleaners or bleach. These substances are abrasive



DO NOT use cleaning pads with abrasive surfaces as this may scratch the material