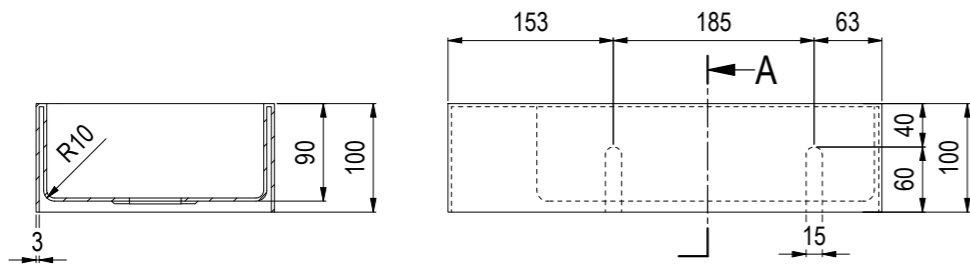


Top View



Section View A-A

Front View

Note: water tap hoses are not able to be concealed under basin.

Note: Dimensions are nominal measurements only

SPECIFICATIONS

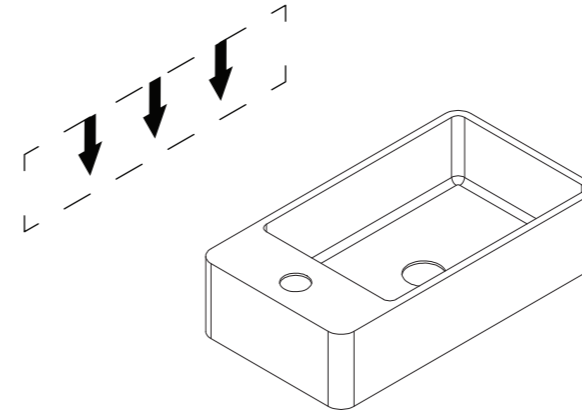
RECOMMENDED USE	Domestic
MATERIAL	Stainless Steel
CONSTRUCTION	Soundproofing Layer & 10mm Radius Corners
INSTALLATION	Wall Mounted *To be used with a basin mounted mixer
OVERFLOW	N/A
CAPACITY	5.5 Litres
WARRANTY	Structure: 10 years Finish: 5 years

Disclaimer: Products in this specification manual must by regulation be installed by licensed and registered trade people. The manufacturer/distributor reserves the right to vary specifications or delete models from their range without prior notification. Dimensions are nominal measurements only. Dimensions and set-outs listed are correct at time of publication however the manufacturer/distributor takes no responsibility for printing errors. All ABI Products are designed in Australia. Copyright ABI Interiors Pty Ltd 2021.

INSTALLATION GUIDE

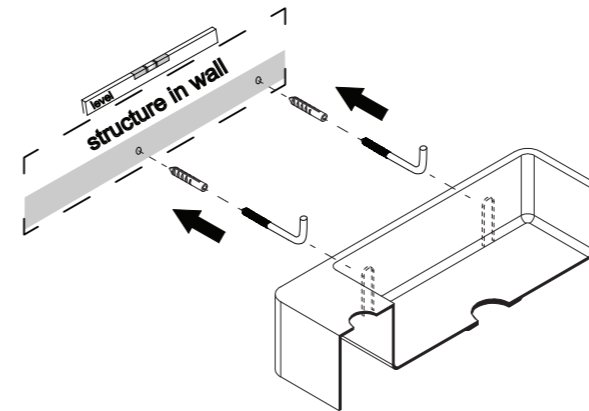
This product must be installed by a licensed tradesperson
This is a general installation guide - there are many factors that are involved that can alter the installation method.

- 1 Check the desired height of basin from floor.

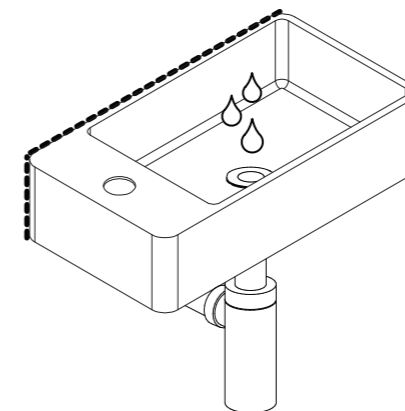


- 3 Drill holes into structure within walls with a wood drill bit and insert fixings. Hook basin onto square bend hooks.

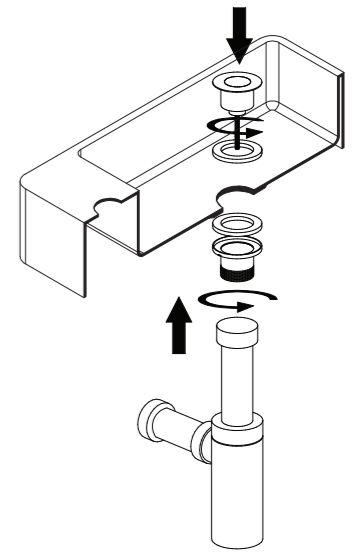
Note: Wall plugs only required for masonry walls.



- 5 Secure plumbing to basin and wall outlet. Test by running water through the waste. Silicone top and sides of basin if necessary.

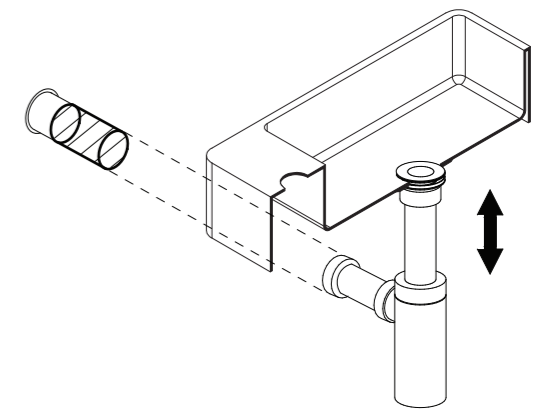


- 2 Fit waste and trap to basin.
Note: ensure trap can reach waste pipe.



- 4 Extend telescopic trap to reach waste pipe. Adjust trap up or down to find desired height & cut waste to suit trap.

Note: Bottle trap & water tap hose are not able to be concealed under basin.



IN THE BOX		2 x Masonry wall plug
		2 x Square bend hook
		1 x Basin