

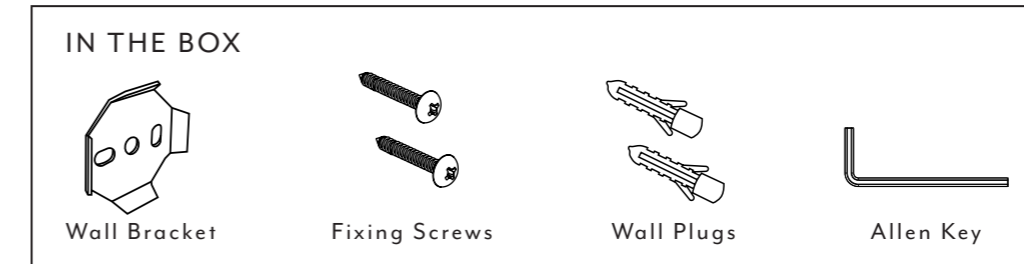


VAADA ROBE HOOK



VAADA ROBE HOOK

INSTALLATION MANUAL

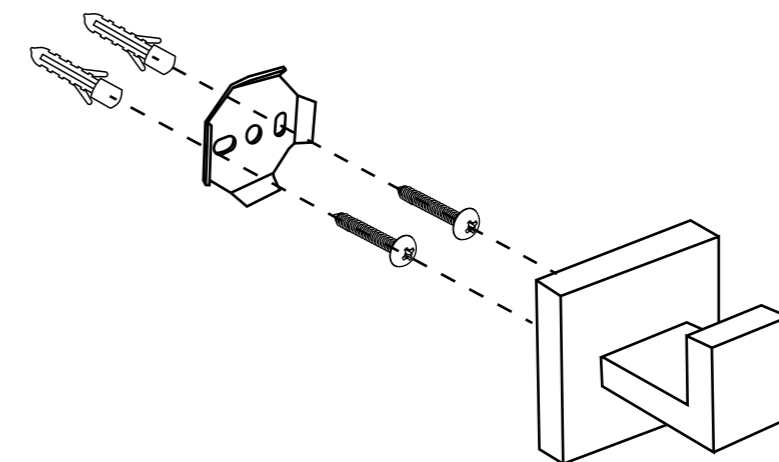


STEP ONE: Drill holes in desired position and insert wall plugs

STEP TWO: Remove bracket from the Robe Hook using the allen key to loosen the grub screw. Install bracket by fastening the supplied screws into the wall plugs

STEP THREE: Place the Robe Hook onto the bracket and firmly tighten grub screw using allen key

IMPORTANT - If installing onto plasterboard please use appropriate fixings



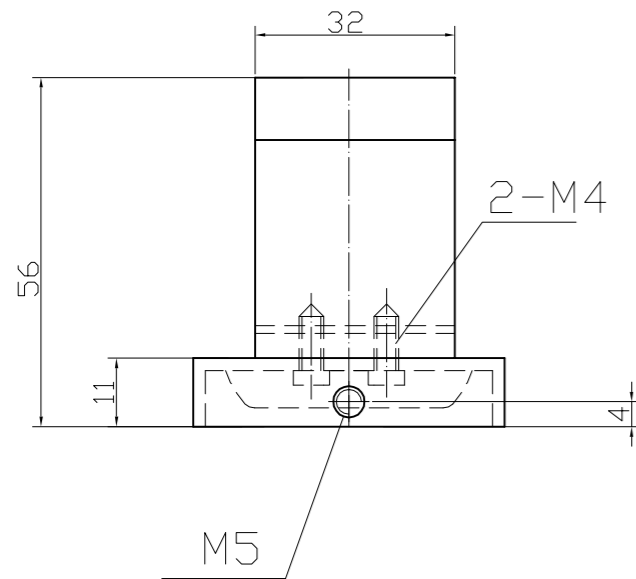
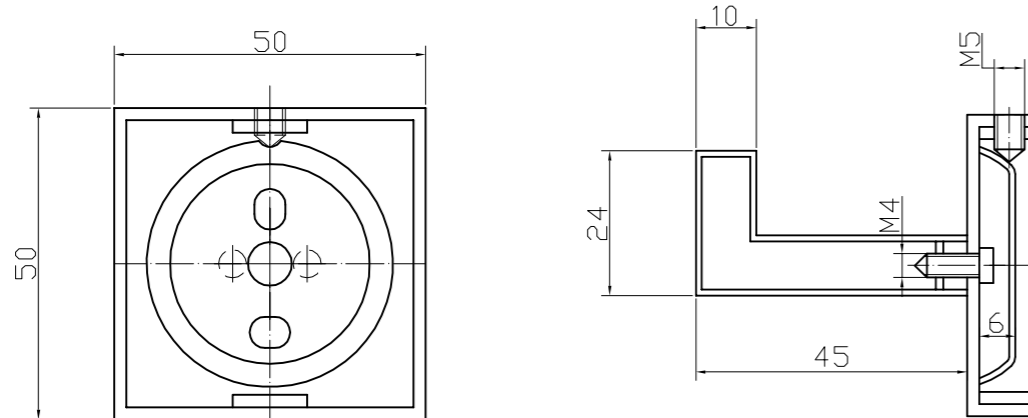
Regularly clean with mild liquid detergent or soap and water



DO NOT use cream cleaners or bleach. These substances are abrasive



DO NOT use cleaning pads with abrasive surfaces as this may scratch the material



SPECIFICATIONS

RECOMMENDED USE

Domestic

COLOUR AVAILABILITY



MATERIAL

Stainless Steel

FINISH

PVD

WARRANTY

Structure: 10 years | Finish: 5 years

Disclaimer: Products in this specification manual must by regulation be installed by licensed and registered trade people. The manufacturer/distributor reserves the right to vary specifications or delete models from their range without prior notification. Dimensions are nominal measurements only. Dimensions and set-outs listed are correct at time of publication however the manufacturer/distributor takes no responsibility for printing errors. All ABI Products are designed in Australia. Copyright ABI Interiors 2019. WWW.ABIINTERIORS.COM.AU