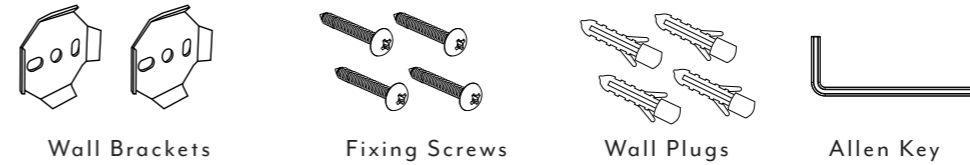


## INSTALLATION MANUAL

### IN THE BOX

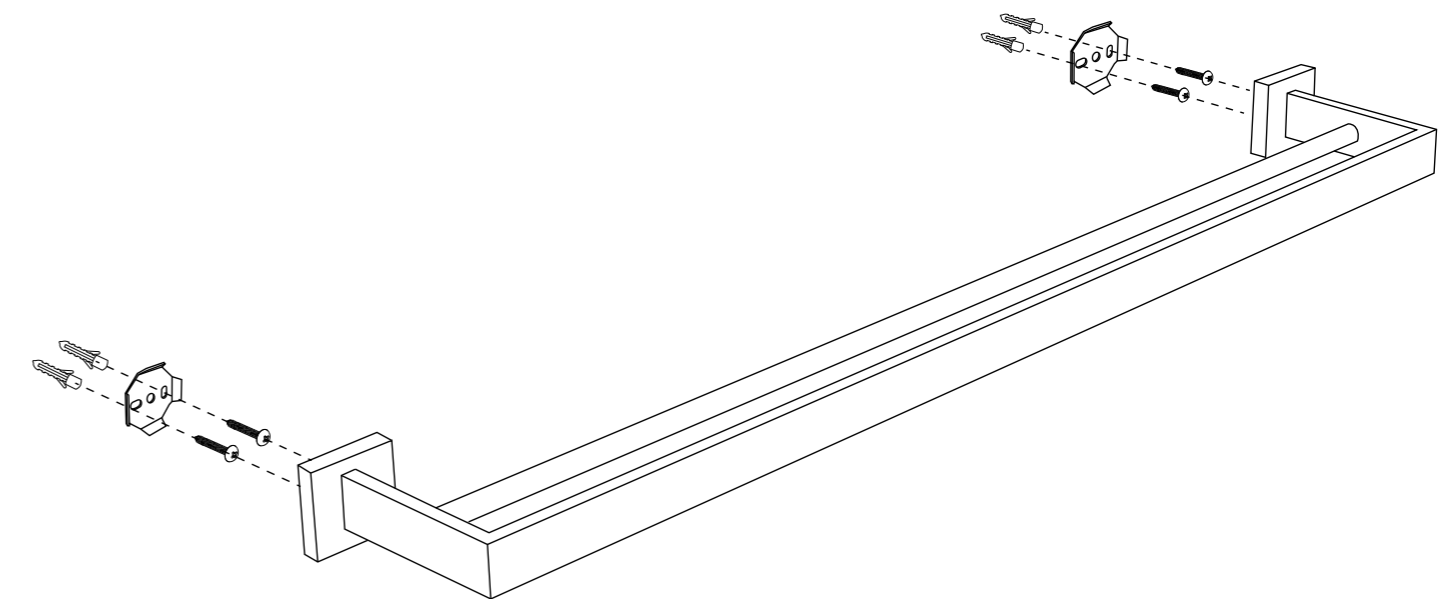


**STEP ONE:** Drill holes in desired position and insert wall plugs

**STEP TWO:** Remove brackets from the towel rail using the allen key to loosen the grub screws. Install brackets by fastening the supplied screws into the wall plugs

**STEP THREE:** Place the towel rail onto the brackets and firmly tighten grub screws using allen key

**IMPORTANT** - If installing onto plasterboard please use appropriate fixings



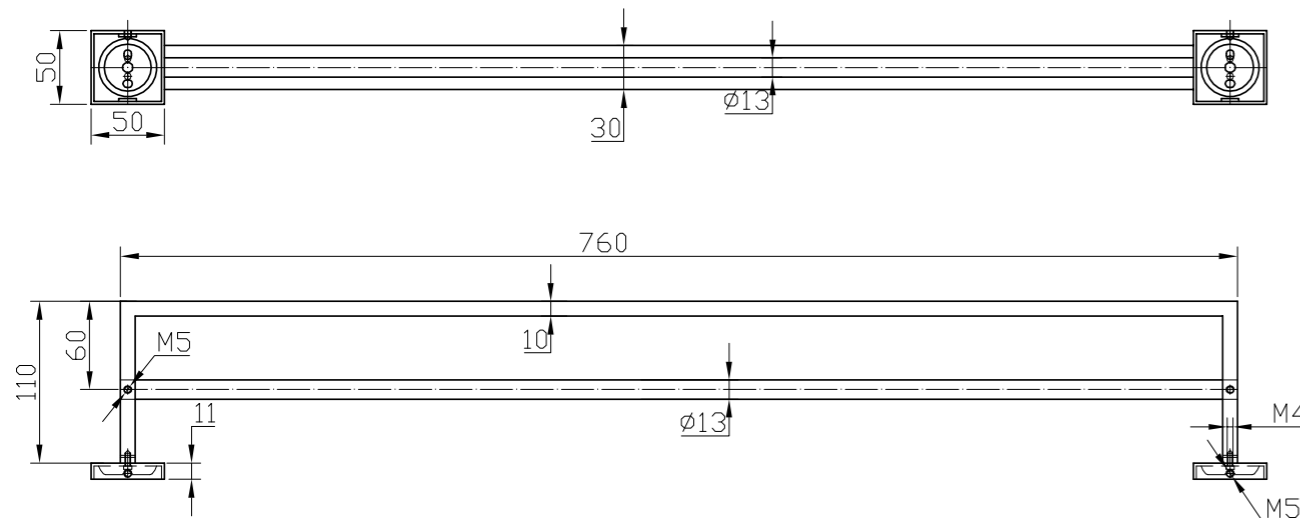
Regularly clean with mild liquid detergent or soap and water



DO NOT use cream cleaners or bleach. These substances are abrasive



DO NOT use cleaning pads with abrasive surfaces as this may scratch the material



### SPECIFICATIONS

#### RECOMMENDED USE

Domestic

#### COLOUR AVAILABILITY



#### MATERIAL

Stainless Steel

#### FINISH

PVD

#### WARRANTY

Structure: 10 years | Finish: 5 years